

# Explore Kit Box

**No. of Master Boxes**

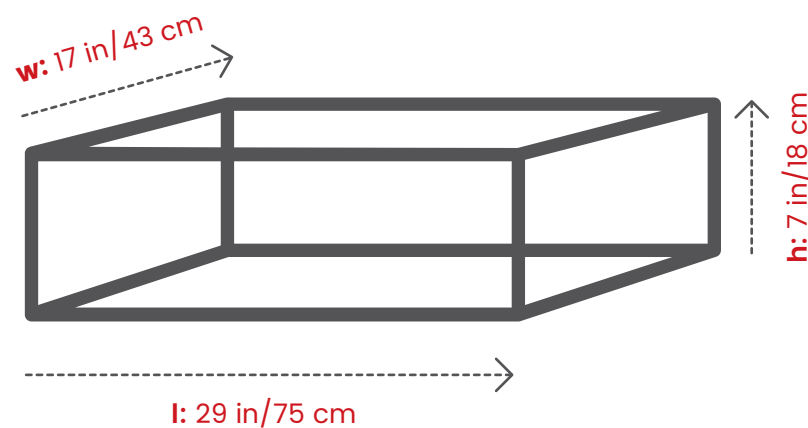
1


**No. of Parts**

358

The Explorer Kit will come in one master box, which will contain 3 smaller, easy to store boxes. Each small box comes with a special foam inlay to keep parts well structured and protected.

**Master Box**



 36 lbs/16 kg

# Pioneer Kit Box

**No. of Master Boxes**

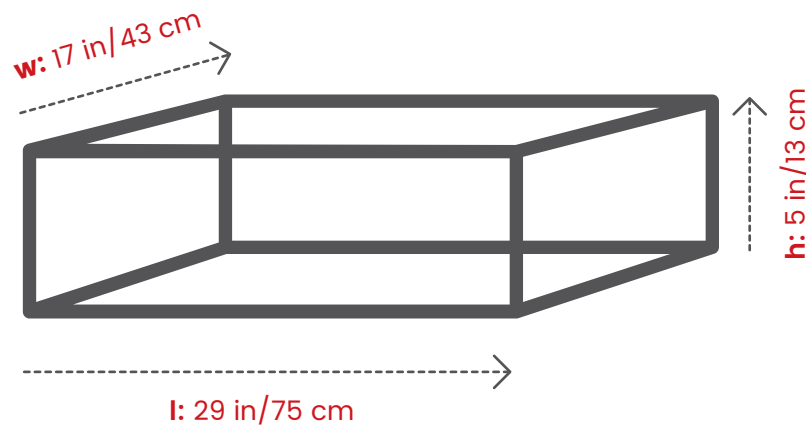
1


**No. of Parts**

350

The Pioneer Kit will come in one master box, which will contain 3 smaller, easy to store boxes. Each small box comes with a special foam inlay to keep parts well structured and protected.

**Master Box**



 33 lbs/15 kg

# Smart Kit Box

**No. of Master Boxes**

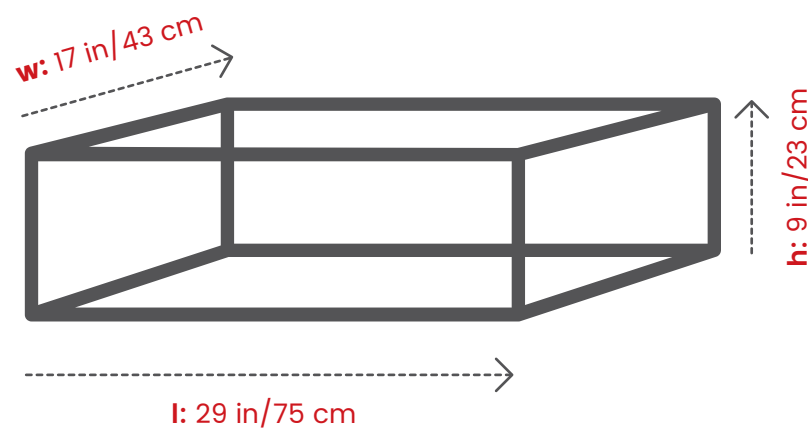
1


**No. of Parts**

411

The Smart Kit will come in one master box, which will contain 4 smaller, easy to store boxes. Each small box comes with a special foam inlay to keep parts well structured and protected.

**Master Box**



 50 lbs/22 kg

# Genius Kit Box

**No. of Master Boxes**

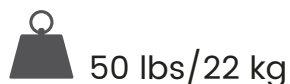
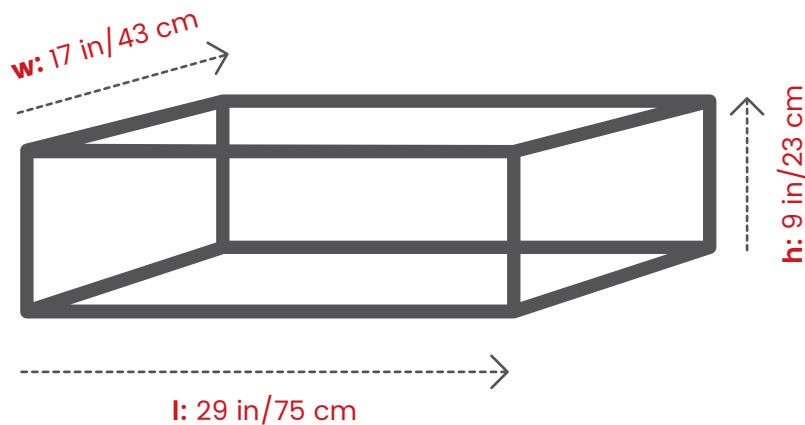
2

**No. of Parts**

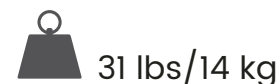
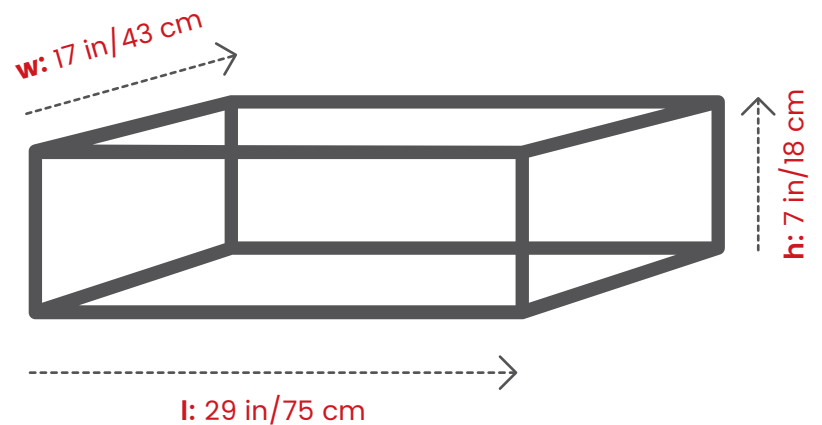
669

The Genius Kit will come in two master boxes, which will contain 7 smaller, easy to store boxes. Each small box comes with a special foam inlay to keep parts well structured and protected.

**Master Box 1**



**Master Box 2**



# Volt Kit Box

**No. of Master Boxes**

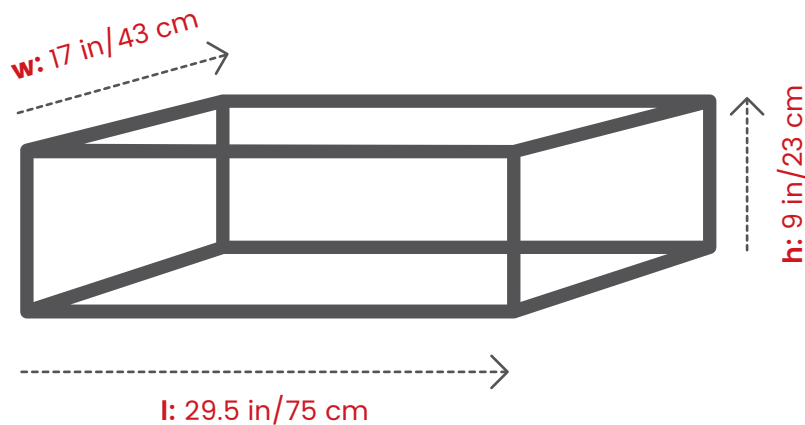
2


**No. of Parts**

823

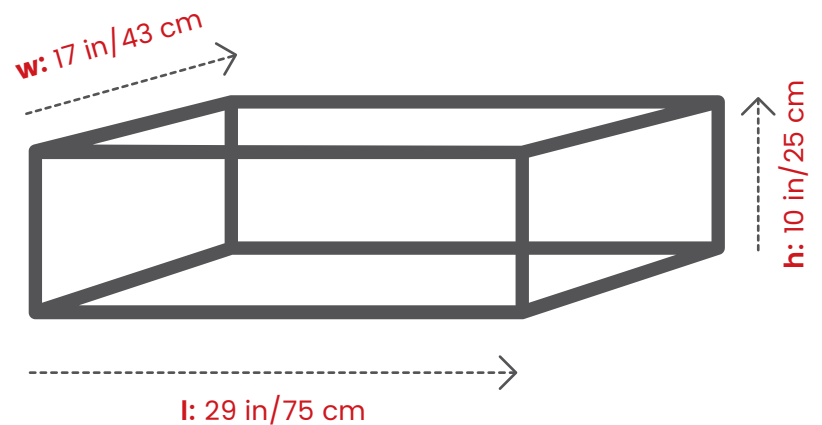
The Volt Kit will come in two master boxes, which will contain 8 smaller, easy to store boxes. Each small box comes with a special foam inlay to keep parts well structured and protected.


**Master Box 1**



 55 lbs/25 kg

**Master Box 2**



 44.4 lbs/20 kg

# Legend Kit Box

**No. of Master Boxes**

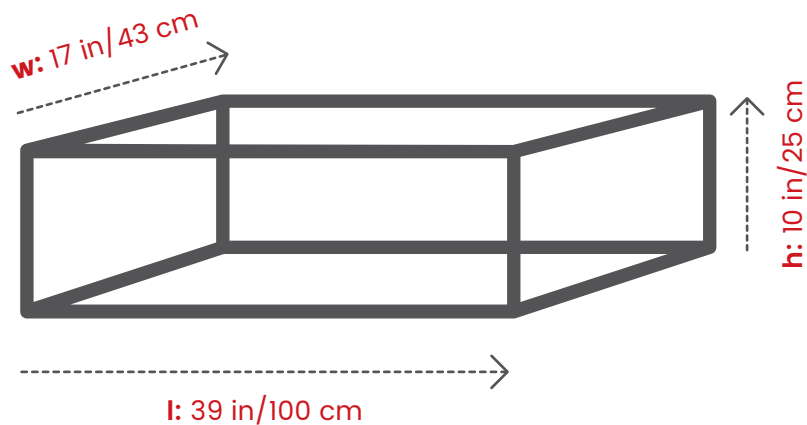
2


**No. of Parts**

934

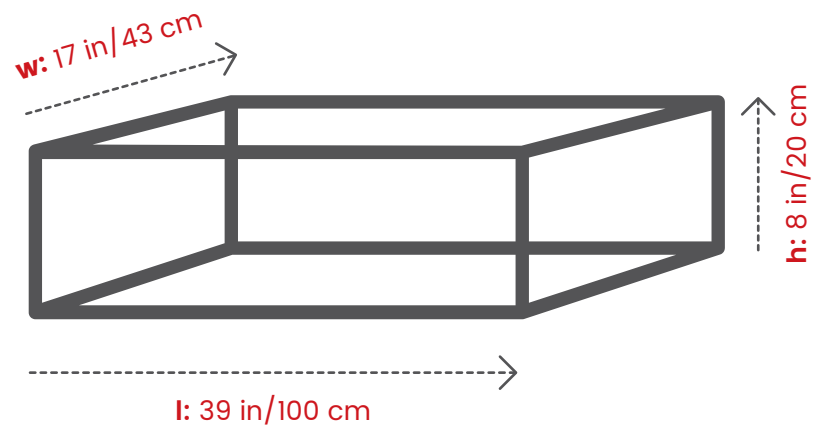
The Legend Kit will come in two master boxes, which will contain 8 smaller, easy to store boxes. Each small box comes with a special foam inlay to keep parts well structured and protected.


**Master Box 1**



 66 lbs/30 kg

**Master Box 2**



 55 lbs/25 kg

# ePulse Add-on Box

**No. of Master Boxes**

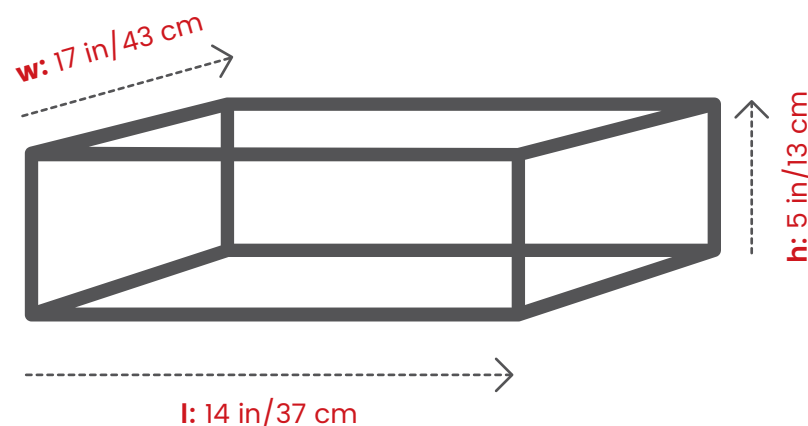
1


**No. of Parts**

25

The ePulse Add-On will come in one easy to store box, which has a special foam inlay to keep parts well structured and protected.

**Master Box**



 11 lbs/5 kg